

# BCMA Series

## Common Mode Filters For Automotive Signal Line

### Size 1210

#### FEATURES

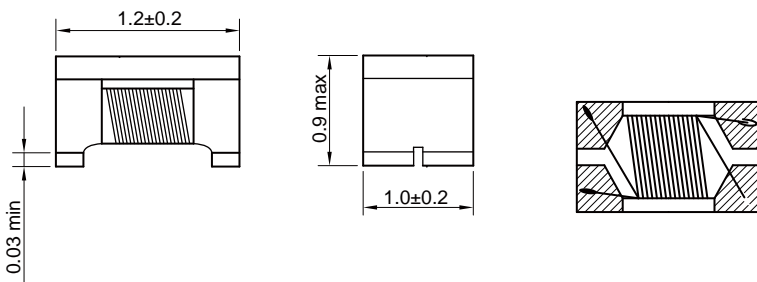
- 
- #
- #
- j

#### APPLICATION

- 

Dimensions: [mm]

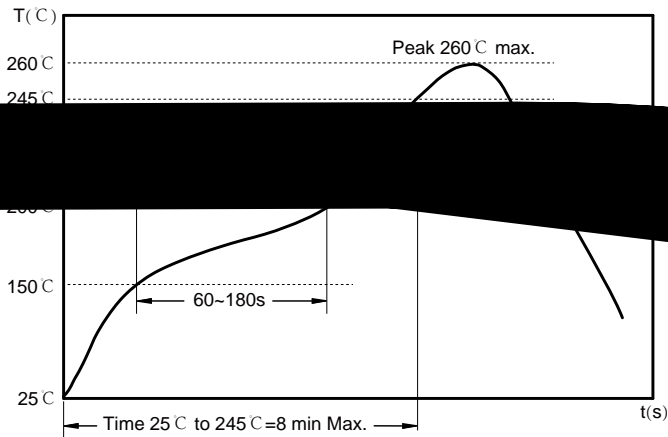
Land Pattern: [mm]



Electrical Properties:

Typical Electrical Characteristics:

## Soldering Reflow:



Preheat condition: 150 ~200 C / 60~180 sec.

Max time at 260°C: 10 sec  
 Allowed Reflow time: 3x max.

## Packaging Information:

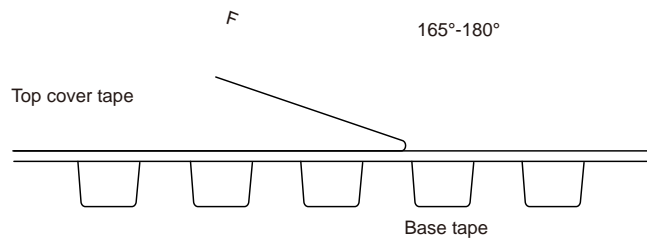
Tape Dimension :



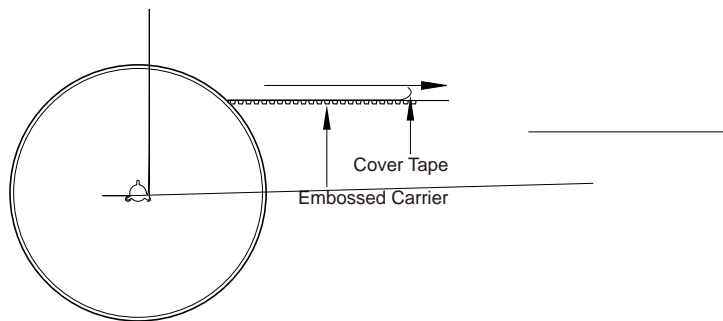
| Series   | A0 (mm)  | B0 (mm)  | D (mm)  | P0 (mm) | P1 (mm) | W (mm)  | K0 (mm)  | E (mm)   | T (mm)    |
|----------|----------|----------|---------|---------|---------|---------|----------|----------|-----------|
| BCMA1210 | 1.12±0.1 | 1.40±0.1 | 1.5±0.1 | 4.0±0.1 | 4.0±0.1 | 8.0±0.3 | 1.05±0.1 | 1.75±0.1 | 0.22±0.05 |



Peel force of top cover tape:



Reel Dimension: [mm]



## Cautions and Warnings:

### Storage Conditions :

- The storage period is within 12 months after the completion of production. Be sure to follow the storage conditions (temperature: -5 to 35°C, humidity: 75% RH Max).If the storage period elapses, the soldering of the terminal electrodes may deteriorate.The warranty period is one year.
- Product should not be exposed to environment with high temperature, high humidity, dust, corrosive gas and etc.
- Products should be handled with care to avoid damage or contamination from perspiration and skin oils.
- Please always handle products carefully to prevent any damage caused by dropping down or inappropriate removing.

### Operation Instructions:

- 
- 
- 
-